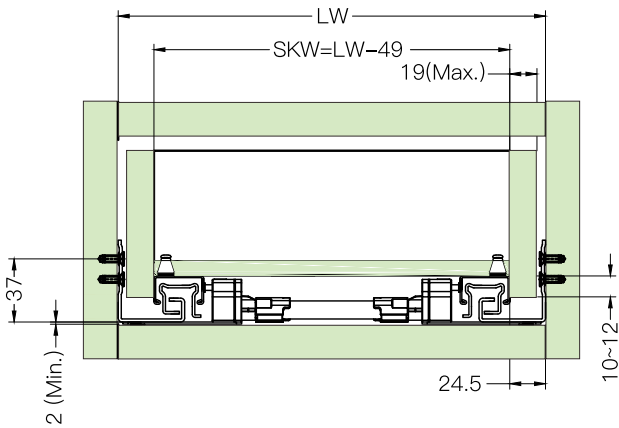


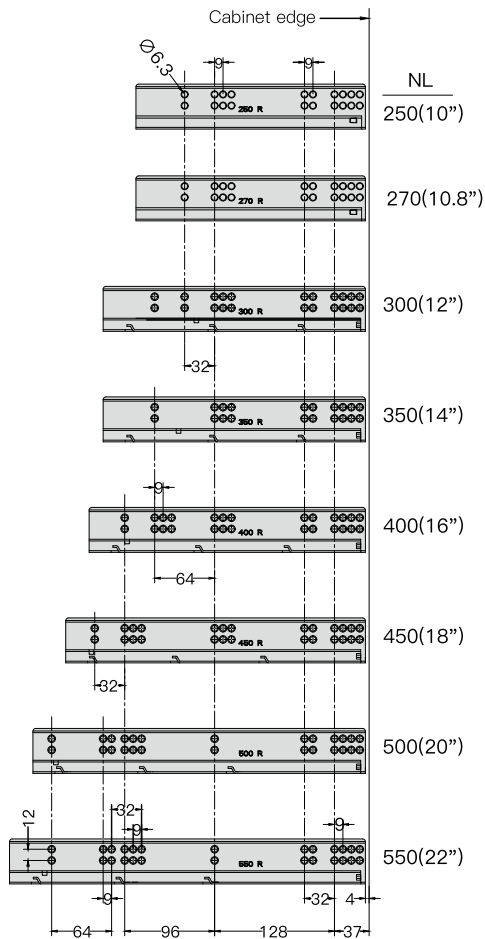
Full Extension Synchronized Push Open Undermounted Slide

- Load capacity: 35Kg
- Length: 250–550mm
- Drawer height adjustment: 0~+3mm
- Drawer depth adjustment: 0~+5mm
- Drawer width adjustment: ±1.5mm

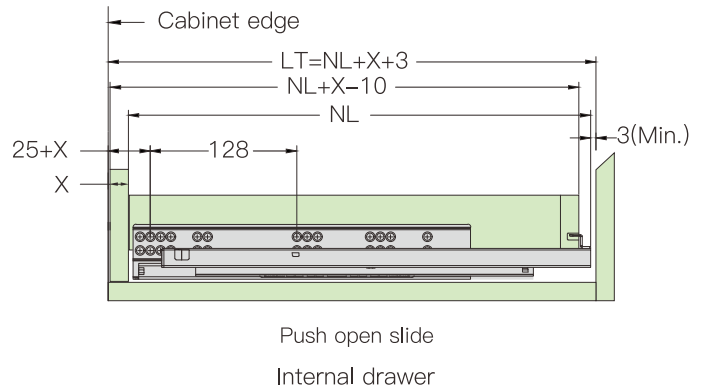
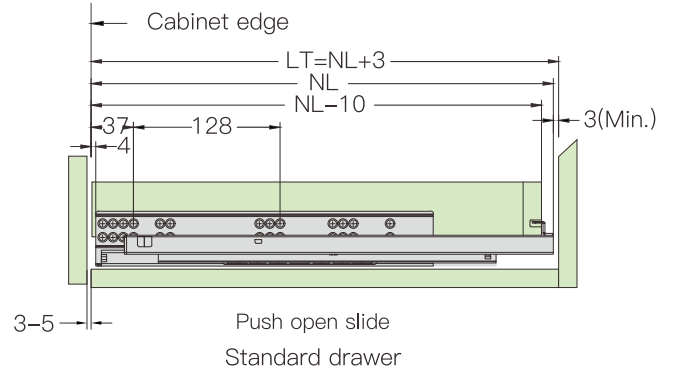
SKW=Internal drawer width
LW=Internal cabinet width



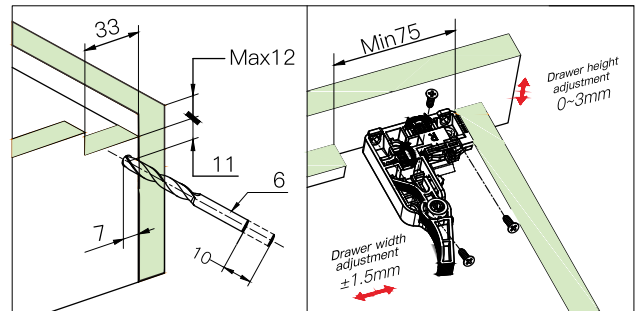
Hole position



NL=Slide length
LT=Internal cabinet depth
Max drawerside thickness:16mm



Drawer size and drilling



Installation steps for synchronizing bar:

